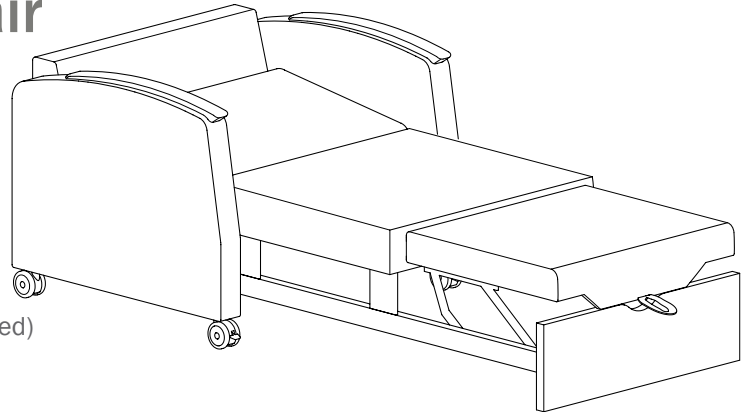


rêma collection | sleep chair

r1800u | 30.5" sleep chair standard with casters



Standard Product Information

- Urethane Arm Caps
- Easy to Open and Close
- Coil Spring Seat Cushion
- 'HR' High Resiliency Seat & Back Foam (CAL 117-2013 Certified)
- All Interior Plywood is California Carb Compliant/Phase II
- (4) 3" Dual Wheel Locking Casters
- Heavy-Duty Steel Pull-Out Bed Mechanism
- 600 lb Bariatric Rated
- 3 Positions: Chair, Chaise, Bed
- Interior Frame Construction: Double-Walled Construction Grade Plywood, CNC Cut & Puzzle-Jointed
- Re-Engineered for a Smooth & Easy In/Out Motion

Dimensions

■ Width	37"	■ Floor Space (Chaise Extended)	54.5"
■ Depth	32"	■ Floor Space (Fully Extended)	76.5"
■ Height	36.5"	■ Sleep Area	30.5" x 72"
■ Seat Width	30.5"	■ Weight Capacity	600 lbs
■ Seat Depth	19"	■ COM (yds)	9
■ Seat Height	19.75"	■ Weight	188
■ Back Height	16.75"	■ Cubic Feet	39
■ Arm Height	27.25"		

Note: 48" in front of this unit is needed to pull out the seat and the seat extension in order to convert the unit to a sleeper.

Options

- WA Wood Arm Caps
- F Upholstered Arms
- PRRF Power (Installed on Outside of Right Arm {facing})
- RF LED Reading Light (Install on Outside of Right Arm {facing})
- WF Wood Feet

Soft Luxe™: Seat Cushion System with Bolsa™ Coils

- Constructed of high-density fortified steel springs encased in fabric
- The top and sides are wrapped in 2.6 (HR) high-resiliency foam
- 21% less seat cushion breakdown when compared to normal seat foam
- Each Bolsa™ Coil flexes independently and adjusts instantly to optimize body contouring and support.
- The barrel-shaped coils offer luxurious softness and firm support that responds to applied weight.

